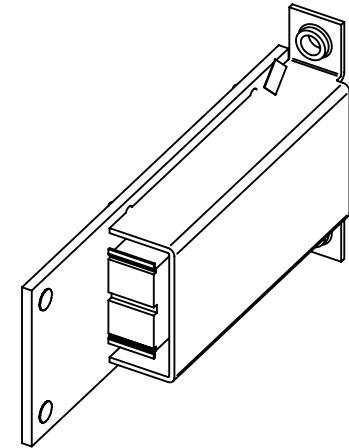
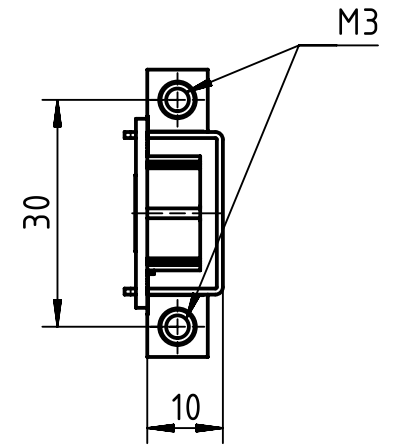
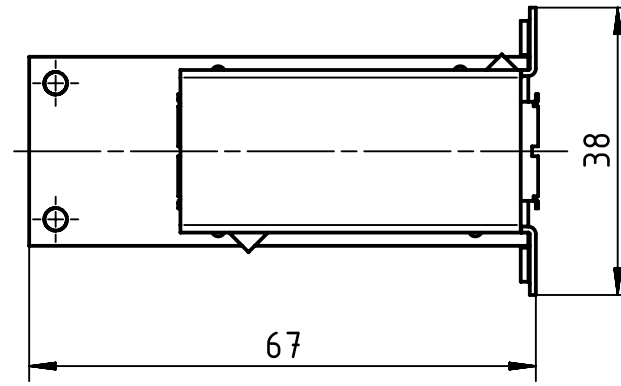
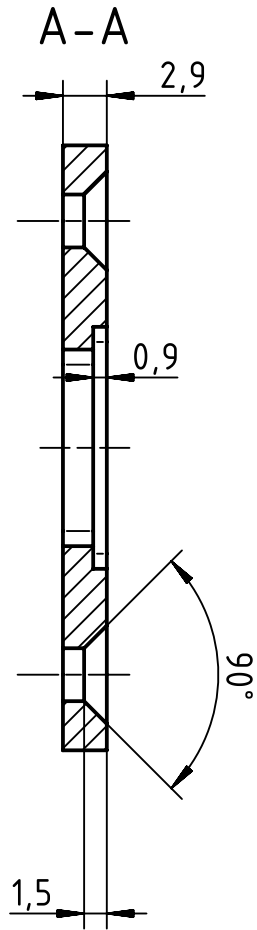
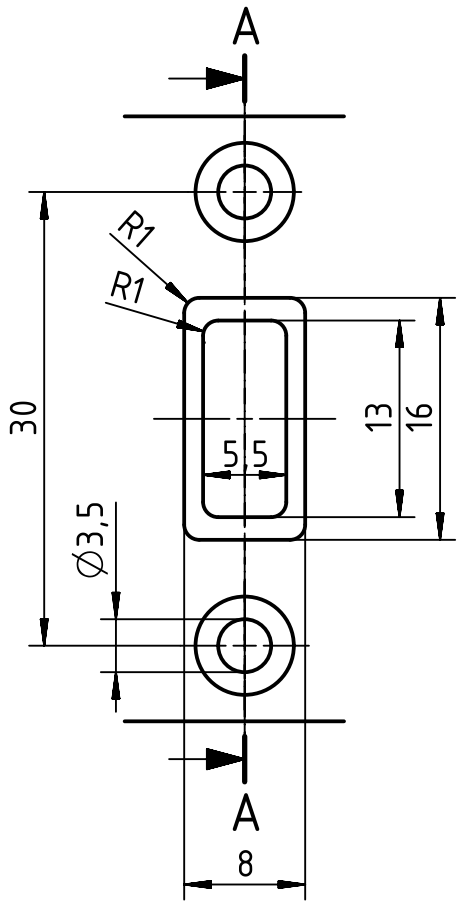


1 2 3 4 5 6

panel cut out (2:1)



2x bolts (M3x8) enclosed separately  
cable tie enclosed separately

	All Dimensions in mm Original Size DIN A4	Scale 1:1	Free size tol.		Ref.
	All rights reserved Department EL PD - DE	Created by RULLKOETTER	Inspected by SCHNIEDER	Standardisation TIEMANNA	Date 2013-12-11
HARTING Electric GmbH & Co. KG D-32339 Espelkamp	Title Gender Changer USB, f-f				State Final Release
Type TB      Number 39 50 904 0020					Doc-Key / ECM-Nr. 100196276/UGD/004/B 500000068860
					Rev. B      Page 1/1