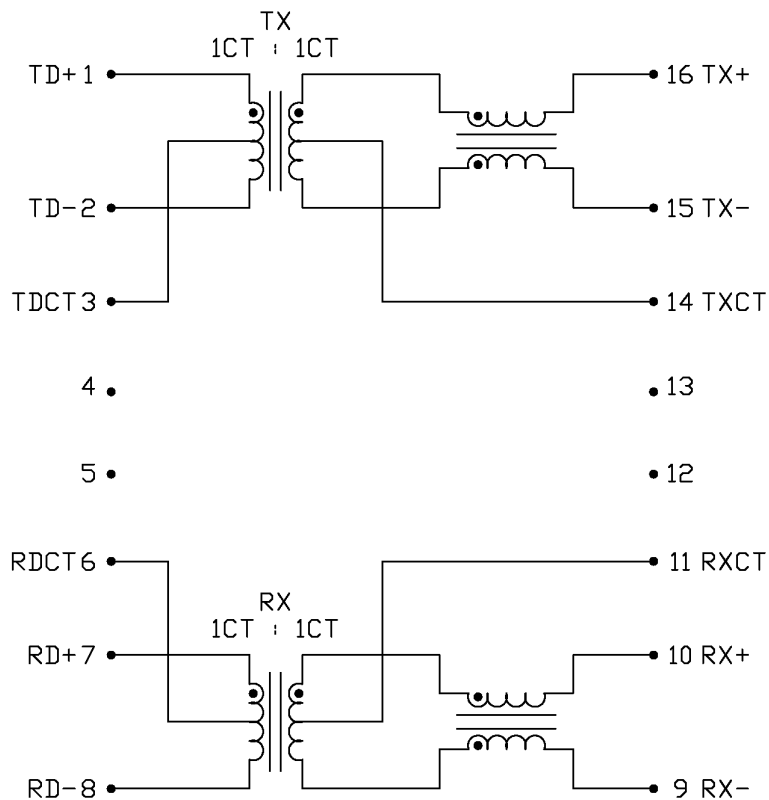


THE INFORMATION CONTAINED HEREIN IS CONSIDERED "PROPRIETARY" TO BEL FUSE INC. AND SHALL NOT BE COPIED, REPRODUCED OR DISCLOSED WITHOUT THE WRITTEN APPROVAL OF BEL FUSE INC.

ELECTRICAL CHARACTERISTICS @ 25°C



SCHEMATIC



URNS RATIO
Tx (1-3-2) : (16-14-15)
Rx (7-6-8) : (10-11-9)

1CT : 1CT
1CT : 1CT

PHASING

PER DOT CONVENTION

OCL (0°C - 70°C)
Tx PIN 1-2
Rx PIN 7-8

350µH MIN.
@100kHz, 100mV
w/8mA DC BIAS

LEAKAGE INDUCTANCE, Le (0°C - 70°C)
Tx PIN 1-2 (w/ 16-15 SHORTED)
Rx PIN 7-8 (w/ 10-9 SHORTED)

0.4µH MAX.
@1MHz, 20mV

INTERWINDING CAPACITANCE, Cw/w
Tx (1-2 TO 16-15)
Rx (7-8 TO 10-9)

25pF MAX.
@1MHz, 20mV

WINDING RESISTANCE, DCR
(1-2) ; (7-8)

1.3Ω MAX.

INSERTION LOSS
@ 100kHz TO 80MHz

1.0dB MAX.

RETURN LOSS (UNDER 100Ω ±15% ENVIRONMENT)
@ 0.5 TO 30 MHz
@ 30 TO 60 MHz
@ 60 TO 80 MHz

16dB MIN.
16-20LOG(f/30MHz) dB MIN.
10dB MIN.

COMMON TO COMMON MODE ATTENUATION
@ 0.1 TO 80 MHz
@ 80 TO 125 MHz
@ 125 TO 250 MHz

38dB MIN.
30dB MIN.
10dB MIN.

CROSSTALK
@ 0.1 TO 80 MHz
@ 80 TO 125 MHz
@ 125 TO 250 MHz

38dB MIN.
30dB MIN.
10dB MIN.

COMMON TO DIFFERENTIAL MODE ATTENUATION
@ 0.1 TO 80 MHz
@ 80 TO 125 MHz
@ 125 TO 250 MHz

38dB MIN.
30dB MIN.
10dB MIN.

HIPOT

PER HAND-WORK-03

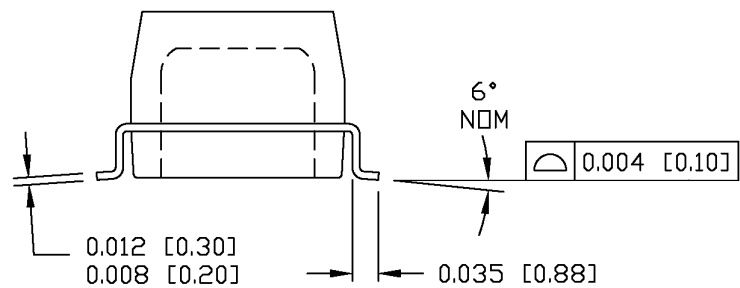
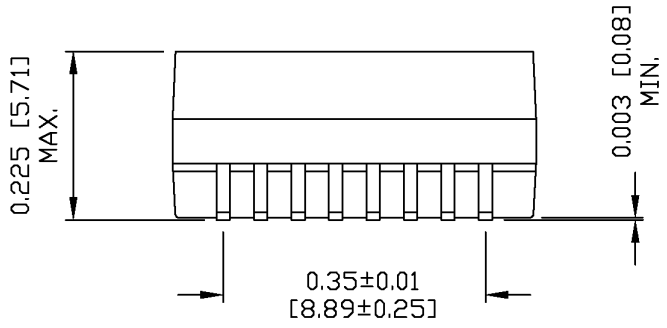
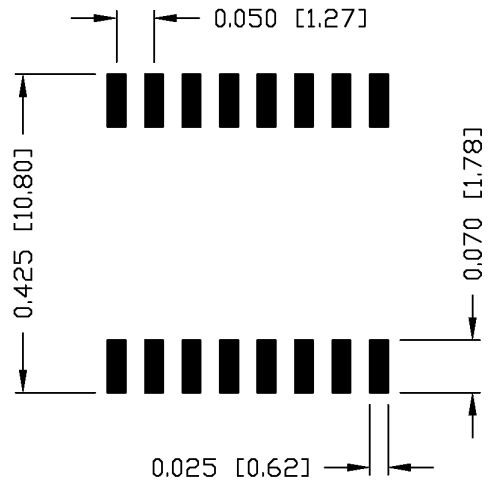
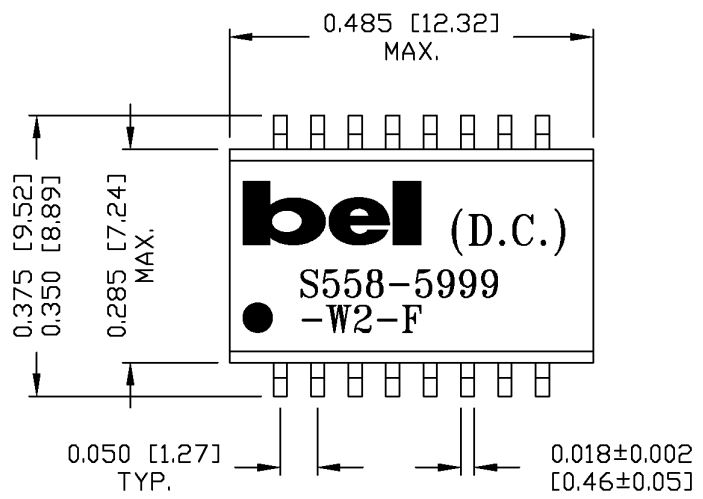
ORIGINATED BY	DATE	TITLE	PART NO. / DRAWING NO.	STANDARD DIM.	[] METRIC DIM. AS REFERENCE	
HQ	08-11-05	10/100BASE-T MODULE S558-5999-W2-F	X5585999W2-F	TOL. IN INCH	UNIT : INCH [mm]	REV. : A
DRAWN BY	DATE		FILE NAME	.X	SCALE : N/A	SIZE : A4
DQ Chen	08-11-05		X5585999W2FA.DWG	.XX		PAGE : 2
				.XXX		



THE INFORMATION CONTAINED HEREIN IS CONSIDERED "PROPRIETARY" TO BEL FUSE INC. AND SHALL NOT BE COPIED, REPRODUCED OR DISCLOSED WITHOUT THE WRITTEN APPROVAL OF BEL FUSE INC.



SUGGESTED PCB PAD LAYOUT



NOTES:

1. STANDARD MARKING REFER TO DOC. HAND-WORK-04.
2. PACKAGE CODE: "QBS001".

ORIGINATED BY HQ	DATE 08-11-05	TITLE MECHANICAL DRAWING S558-5999-W2-F	PART NO. / DRAWING NO. X5585999W2-F	STANDARD DIM. TOL. IN INCH		[] METRIC DIM. AS REFERENCE		 COMPONENTS FOR A CONNECTED PLANET
DRAWN BY DQ Chen	DATE 08-11-05		FILE NAME X5585999W2FA.DWG	.X		UNIT : INCH [mm]	REV. : A	
			.XX	±0.01	SCALE : N/A	SIZE : A4		
			.XXX	±0.005			PAGE : 3	