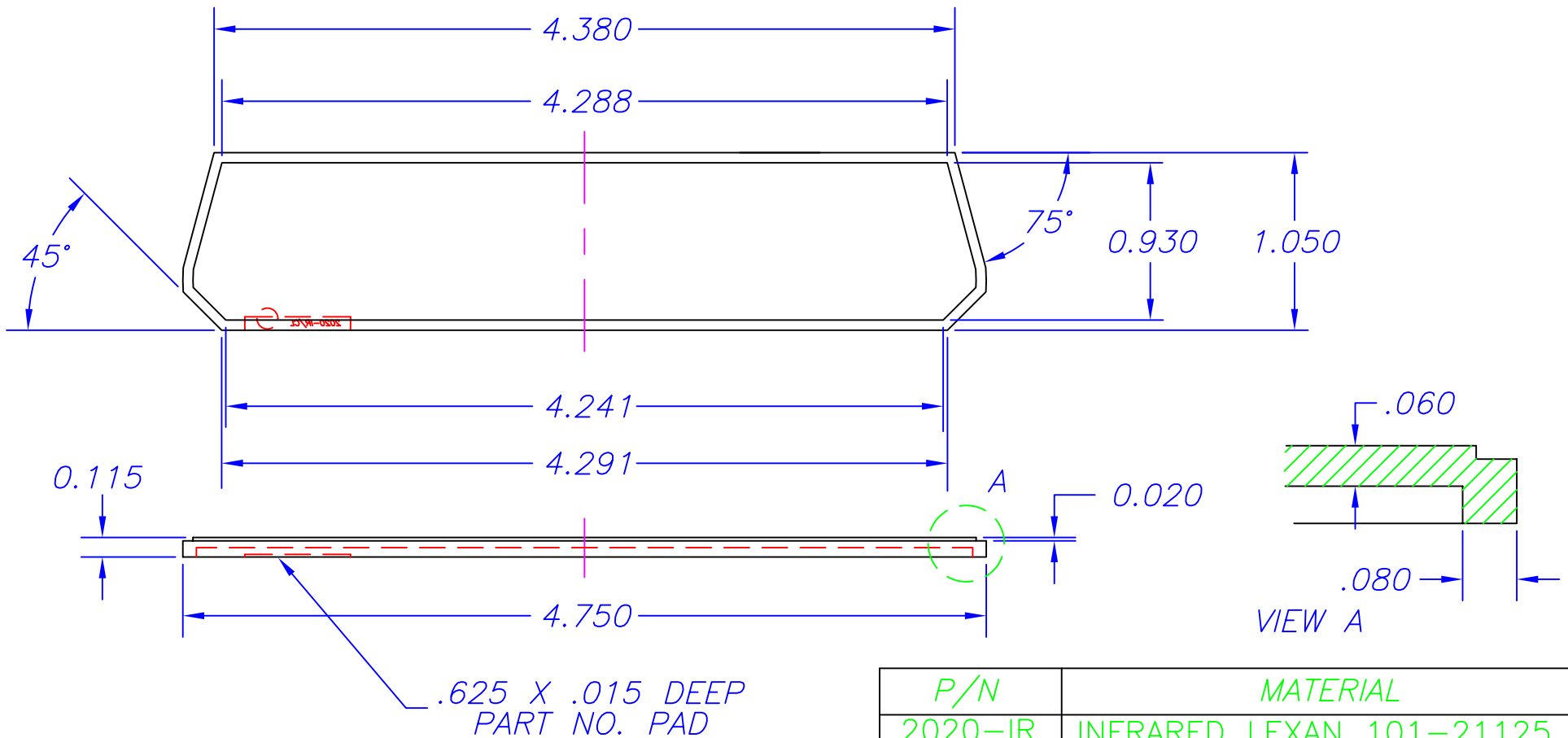


NO.	REVISION	DATE
N/A		5/96



P/N	MATERIAL
2020-IR	INFRARED LEXAN 101-21125
2020-CL	CLEAR TERLUX 2802TR(BASF)

TITLE				A-41 END PANEL IR/CL		DES.		D.CHAMBERS		6/93		P/N		2020,IR & CL	
TOLERANCE				MAT'L		DRWN.						SERPAC		612 COMMERCIAL AVE., COVINA, CA. 91723 (818) 331-0517 FAX: (818) 331-8584	
DECIMAL		FRAC.	ANG.	SHEET NO.		SCALE		CKD.							
.XX ±.010	.XXX ±.005	±1/64	±1/2°	1	1=1										
				NO. OF SHTS.		DWG NO.		APPR.							
				1		A-41IRCL									