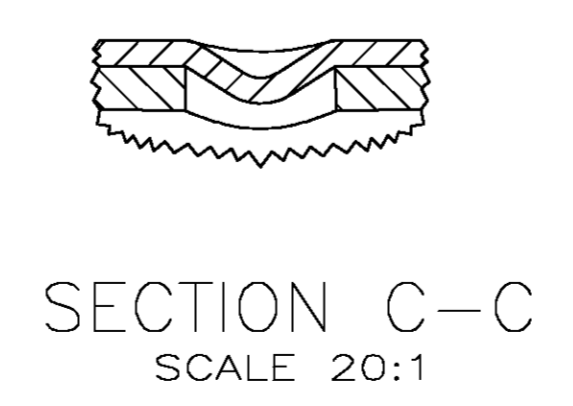
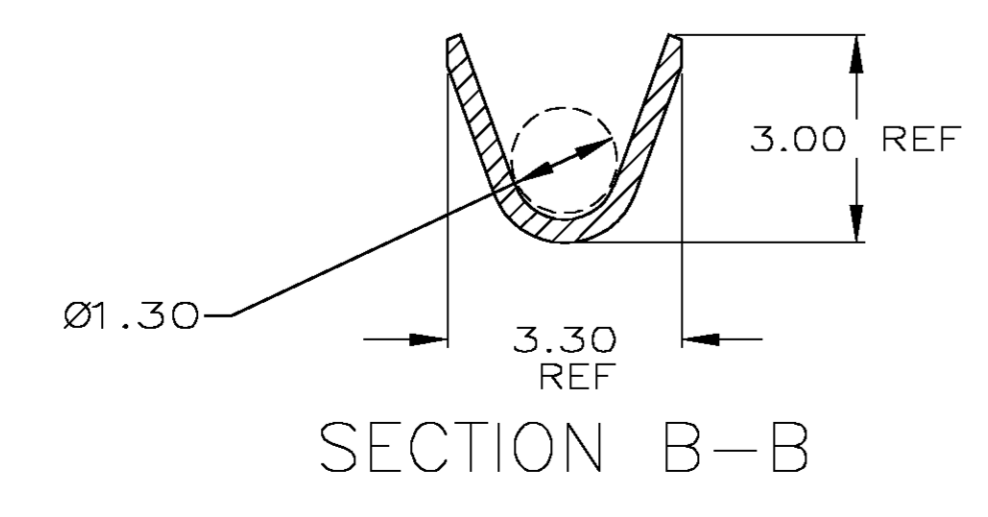
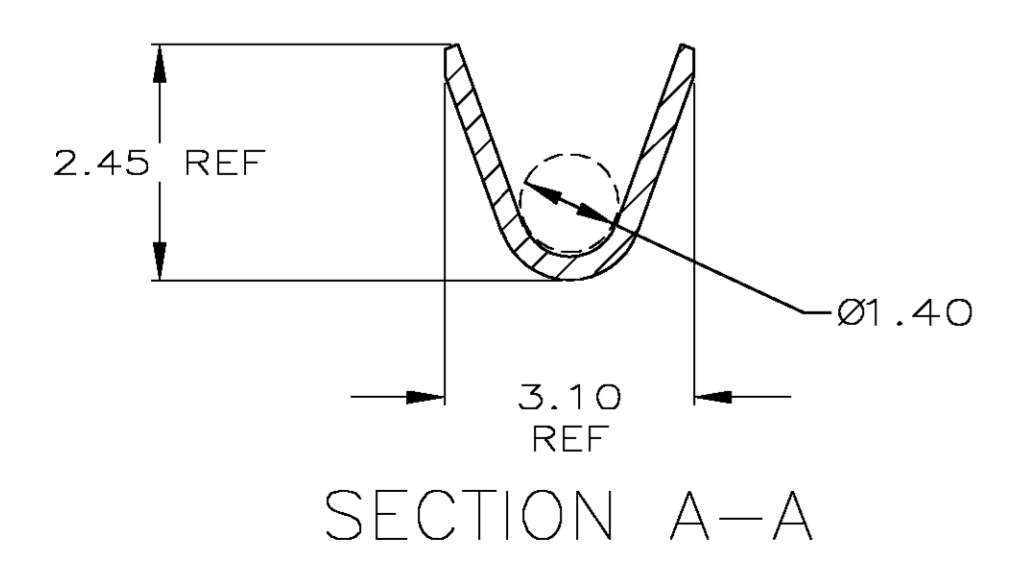
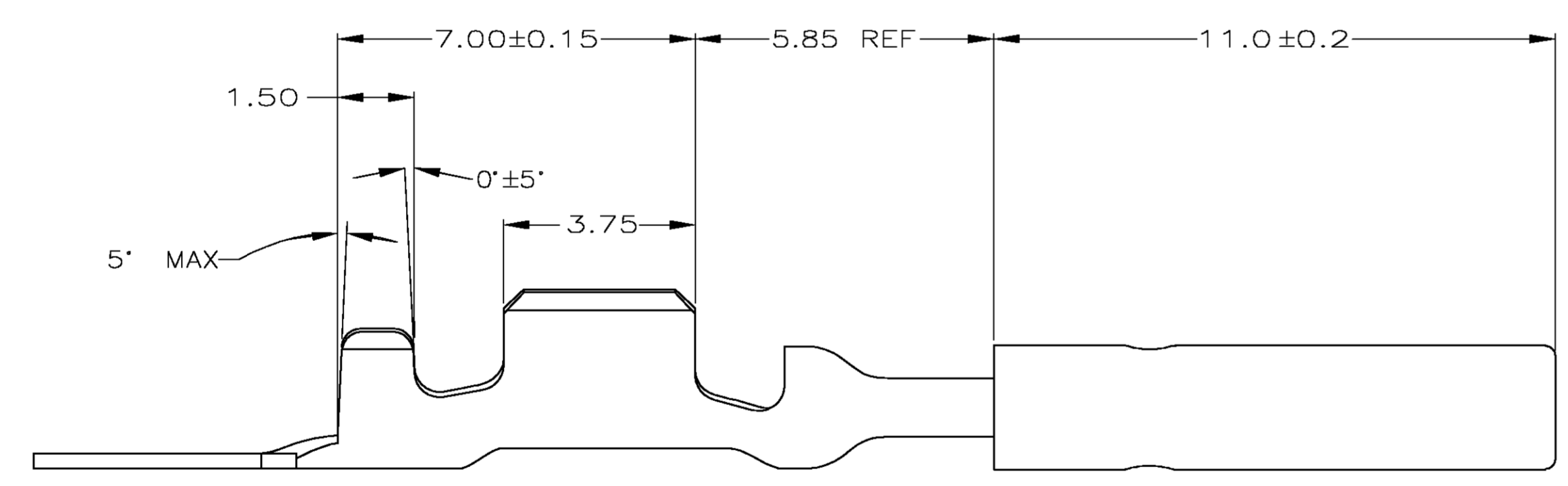
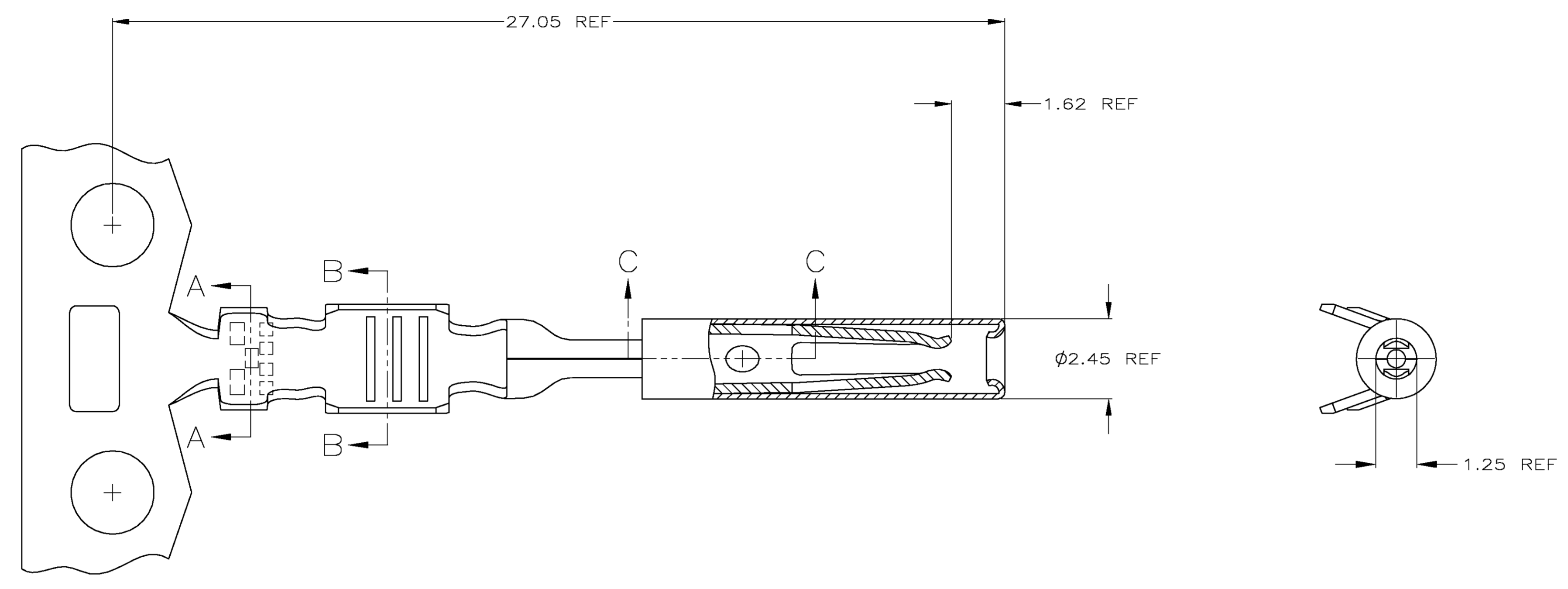


LOC		DIST		REVISIONS			
P	LR	DESCRIPTION	DATE	DRN	APPD		
D1	REV PER	OK40-0406-03	19JUN03	AH	JT		

- 1. NICKEL UNDER PLATE, GOLD PLATED CONTACT AREA WITH TIN PLATING IN WIRE BARREL.
- 2. REELING DIRECTION FOR 776235-1 IS PER AMP 107-3, FIG.2
- 3. REELING DIRECTION FOR 776235-4 IS PER AMP 107-3, FIG.4



567680	776235-4
-	776235-1
APPLICATOR NUMBER	PART NUMBER

THIS DRAWING IS A CONTROLLED DOCUMENT.		DIN P. COLLINS 1-26-98		Tyco Electronics Corporation Harrisburg, PA 17105-3608	
DIMENSIONS: MM		CHK D. STILLIE 1-26-98		NAME	
TOLERANCES UNLESS OTHERWISE SPECIFIED:		APD D. SHIELDS 1-26-98	PRODUCT SPEC		
0 PLC ± -		108-1805			
1 PLC ± 0.3		APPLICATION SPEC			
2 PLC ± 0.10		114-6071			
3 PLC ± 0.013		SIZE CAGE CODE DRAWING NO			
4 PLC ± -		A1 00779 C=776235			
ANGLES ± ± 0°30'		RESTRICTED TO			
MATERIAL SLEEVE: CU CONTACT: CU ALLOY		WEIGHT -		CUSTOMER DRAWING	
FINISH		SCALE 10:1		SHEET 1 OF 1 REV D1	